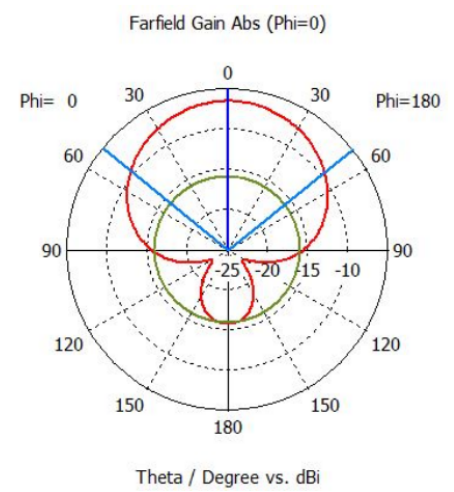




XYLINDER OUTDOOR

Technical Specifications

- **RF protocol** EPC global Class 1 Gen 2
- **Frequency** 902-928 MHz (US); 865-868 MHz (EU)
- **IC type (chip)**¹ NXP UCODE 9
- **Chip memory**² 96 bits EPC; 96 bits TID
- **Read range on metal**³ Up to 22.97 ft (7 m)
- **Read range off metal**³ Up to 16.40 ft (5 m)
- **Polarization** Linear



Key Features

- + **Bendable:** perfect fit on curved surfaces
- + **Hardened silicone:** absorbs shocks and deflects impacts
- + **Weatherproof:** withstands UV exposure, outdoor elements, and high-pressure washdowns
- + **7-meter range:** optimized for metal surfaces
- + **Secure mounting:** secure attachment via durable glue or industrial adhesives
- + **Cost-effective:** a durable tag competitively priced for large inventory

Applications

- **LPG cylinders/tanks**
- **Industrial gas cylinders**
- **Metal and plastic kegs**
- **Fire extinguishers**
- **Tubulars and other curved assets**

Environmental Specifications

Temperatures



- Operational -40°C to +85°C
- Survival -40°C to +150°C

- **IP rating** IP69K
- **Shock** 3ft (1 m) to concrete/granite
- **Vibration** MIL-STD-810G
- **Warranty** 1 year

¹ The chip data retention is up to 50 years, based on chip operating under general environment conditions.

² EPC and User Memory can be re-programmed, password protected, or permanently locked. TID is locked and unique at the point of manufacturing.

³ Fix reader on metal

Physical Specifications

- **Material** Engineered silicone
- **Dimensions (in)**¹ 2.36 x 1.61 x 0.31
- **Dimensions (mm)**¹ 60 x 41 x 8
- **Weight** 0.57 oz (16.10 g)

Mounting Systems

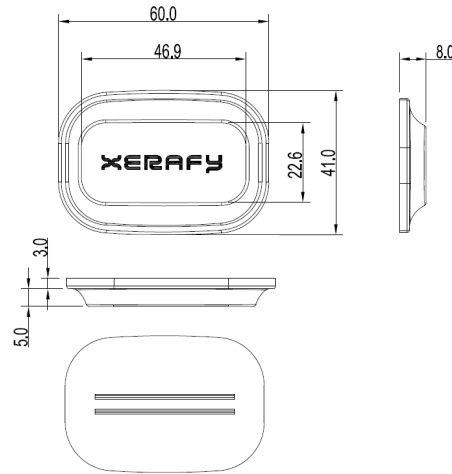
- Durable glue bond
- Industrial adhesive

Installation Instructions

A durable glue bond inside the cylinder's guard ring is the recommended method of attachment. For detailed installation guidelines, refer to the Xerafy LPG Cylinders guide.

1. Select a mounting location inside the cylinder's protection ring.
2. Clean the surface thoroughly for strong adhesion.
3. Apply glue evenly to the back of the Xylinder tag.
4. Press the tag vertically and firmly onto the surface.
5. Use tape to hold the tag in place while the glue cures.
6. Remove the tape after 24 hours (curing time may vary by adhesive).

¹ Tolerance: +/- 0.02; +/- 0.50



Industry Compliance



Order Information

Xylinder OUTDOOR US: X0362-USP70-U9

Xylinder OUTDOOR EU: X0362-EUP70-U9

Customization Options

Encoding

ATEX Certification

Laser Marking (logo, texts, numbers)

Printing

The information provided by Xerafy Singapore Pte. Ltd. is for general information purposes only. All information on the datasheet is provided in good faith. However we make no representation or warranty of any kind, express or implied, regarding the accuracy, adequacy, validity, reliability, availability, or completeness of any information on the datasheet.

Under no circumstance shall we have any liability to you for any loss or damage of any kind incurred as a result of the use of the product or reliance on any information provided on the datasheet. Your use of the product and your reliance on any information on the datasheet is solely at your own risk.

